

MODEL No. : KR-12N5PH
 MAX INLET: 5000 PSI
 REGULATED OUTLET: 50-5000 PSI
 SPECIFIED FLOW: 2 GPM
 Cv Outlet: .23
 Cv Vent: .23
 SUPPLY PORT: 1/2" NPT
 REGULATED OUTLET: 1/2" NPT
 VENT PORT: 1/2" NPT
 OPERATOR: HYDRAULIC OPERATOR

MATERIAL:
 • BODY: CARBON STEEL
 • FLANGES & OPERATORS: CARBON STEEL
 • INTERNAL: STAINLESS STEEL & BRASS
 • O-RINGS: BUNA (NITRILE)
 • BACKUPS: TEFLON

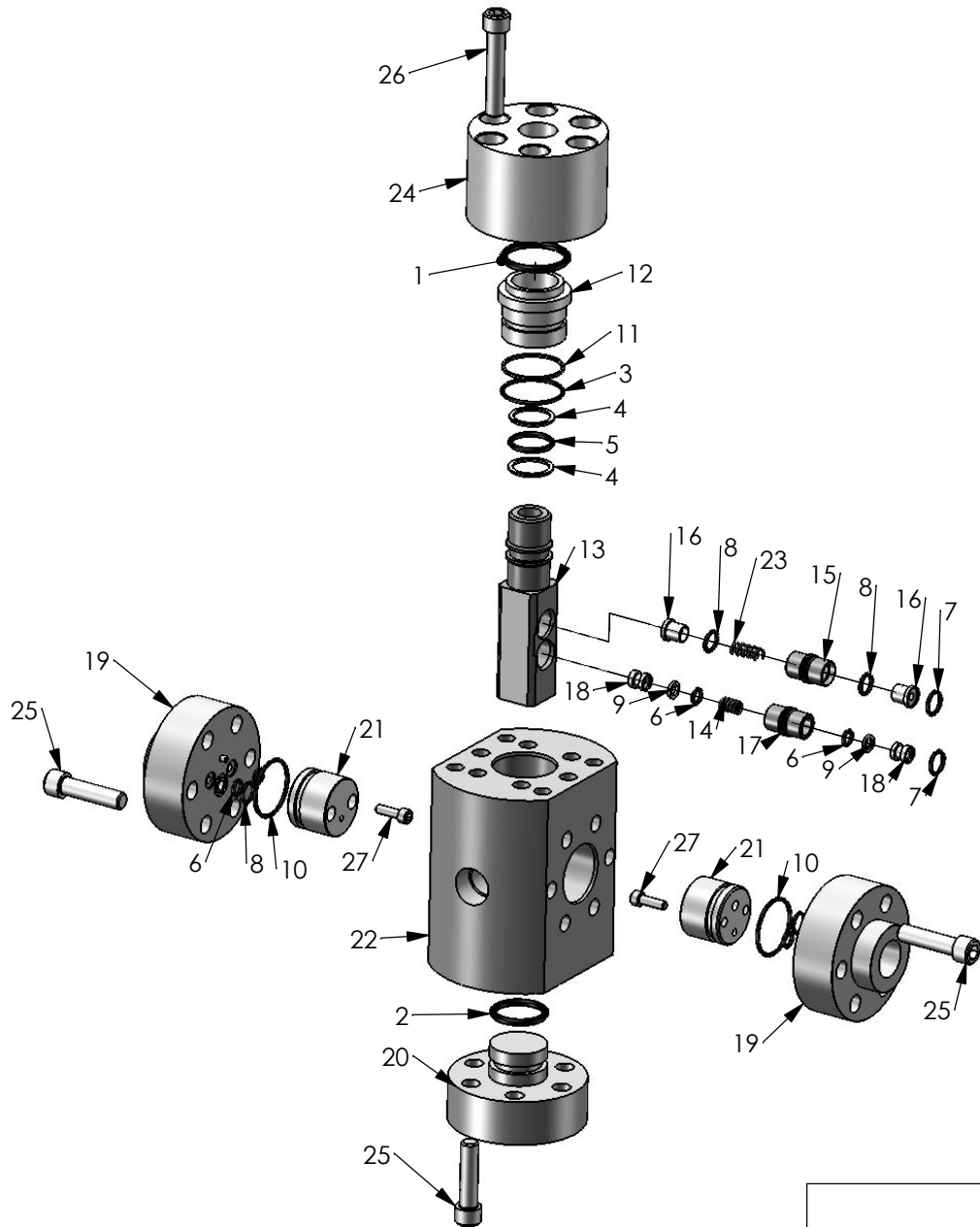
TEMPERATURE RATING: -30° TO 180°F
 WEIGHT: 31 LBS

PacSeal HYDRAULICS INC.

VALVES, ACCUMULATORS, CONTROLS

PROPRIETARY AND CONFIDENTIAL
 THE INFORMATION CONTAINED IN THIS DRAWING IS THE SOLE PROPERTY OF PacSeal Hydraulics. ANY REPRODUCTION IN PART OR AS A WHOLE WITHOUT THE WRITTEN PERMISSION OF PacSeal Hydraulics IS PROHIBITED.

TITLE Regulator, KR-12 Hydraulic Pilot	SIZE A	DWG. NO. 40-1665	REV 1
	SCALE: 2:5	WEIGHT: 21	SHEET 1 OF 2



ITEM NO.	PART NUMBER	DESCRIPTION	QTY.
1	23-1124	O-Ring	1
2	23-1141	O-Ring	1
3	23-1325	O-Ring	1
4	23-1331	Backup Ring	2
5	23-1332	O-Ring	1
6	23-1335	O-Ring	6
7	23-1343	O-Ring	2
8	23-1344	O-Ring	4
9	23-1345	Backup Ring	2
10	23-1400	O-Ring	2
11	23-1433	Backup Ring	1
12	40-0330	Piston Guide	1
13	40-0331	Seal Container	1
14	40-0332	Spring, Supply	1
15	40-0333	Seal Cage, Vent	1
16	40-0334	Seal Ring, Vent	2
17	40-0335	Seal Cage, Inlet	1
18	40-0336	Seal Ring, Supply	2
19	40-0337	Flange	2
20	40-0339	Flange, Lower	1
21	40-0340	Flow Plate, Supply & Vent KR-12	2
22	40-0341	Body	1
23	40-0863	Spring, Vent	1
24	40-0875	Hydraulic Head, KR-12/38	1
25	50-0069	Bolt, SHCS	18
26	50-0080	SHCS	6
27	50-0084	Bolt, SHCS	4

PacSeal Hydraulics Inc.

VALVES, ACCUMULATORS, CONTROLS

PROPRIETARY AND CONFIDENTIAL
 THE INFORMATION CONTAINED IN THIS DRAWING IS THE SOLE PROPERTY OF PacSeal Hydraulics. ANY REPRODUCTION IN PART OR AS A WHOLE WITHOUT THE WRITTEN PERMISSION OF PacSeal Hydraulics IS PROHIBITED.

TITLE
Regulator, KR-12 Hydraulic Pilot

SIZE A	DWG. NO. 40-1665	REV 1
SCALE: 1:4	WEIGHT: 21	SHEET 2 OF 2