

- The KT-3600 pressure transmitter converts hydraulic pressure to a proportional air pressure signal in a 100:1 ratio, which is read on the remote control panel by a receiver (false reading) gauge
- Rated hydraulic pressure: 0-10000 PSI.  
Supply air pressure must be greater than 1/100 of the hydraulic pressure

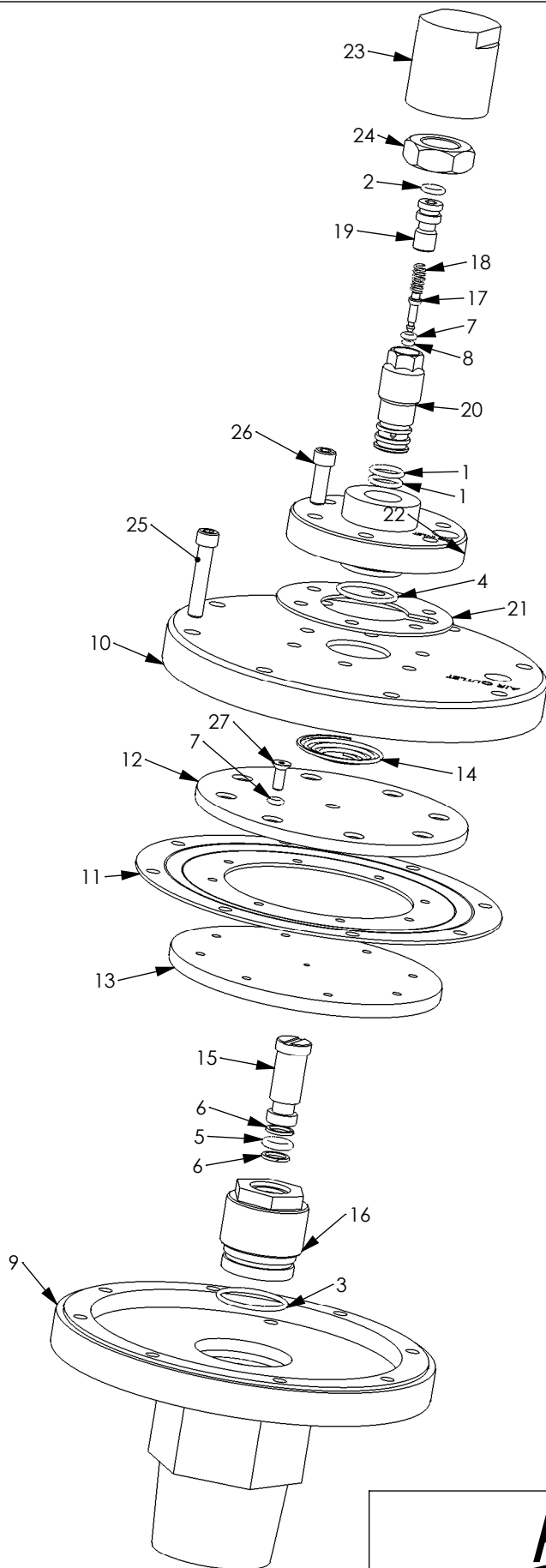
**PACSEAL HYDRAULICS INC.**

VALVES, ACCUMULATORS, CONTROLS

**PROPRIETARY AND CONFIDENTIAL**  
THE INFORMATION CONTAINED IN THIS DRAWING IS THE SOLE PROPERTY OF PacSeal Hydraulics. ANY REPRODUCTION IN PART OR AS A WHOLE WITHOUT THE WRITTEN PERMISSION OF PacSeal Hydraulics IS PROHIBITED.

TITLE  
**KT-3600 Pressure Transmitter**

SIZE <b>A</b>	DWG. NO. <b>40-1768</b>	REV <b>2</b>
SCALE: 1:2	WEIGHT: 17	SHEET 1 OF 2



40-1768 : KT-3600 Pressure Transmitter

ITEM NO.	PART NUMBER	DESCRIPTION	QTY.
1	23-1333	O-Ring	2
2	23-1338	O-Ring	1
3	23-1400	O-Ring	1
4	23-1403	O-Ring	1
5	23-1407	O-Ring	1
6	23-1416	Backup Ring	2
7	23-1445	O-Ring	9
8	23-1502	O-Ring	1
9	40-0511	Body, KT-3600	1
10	40-0512	Top Plate - KT-3600	1
11	40-0513	Diaphragm Pressure Transmitter	1
12	40-0514	Upper Diaphragm Plate	1
13	40-0515	Lower Diaphragm Plate	1
14	40-0516	Spring	1
15	40-0518	Piston, Pressure Transmitter	1
16	40-0519	Bushing, KT-3600	1
17	40-0520	Air valve Poppet, P/T	1
18	40-0521	Spring	1
19	40-0522	Air Valve Plug, P/T	1
20	40-0523	Air Valve Body, P/T	1
21	40-0524	Gasket, P/T	1
22	40-0525	Air Inlet Flange P/T	1
23	40-0526	Adjustment Cap - P/T	1
24	50-0124	Nut	1
25	50-0147	SHCS	8
26	50-0241	SHCS	6
27	50-0286	FHCS, Flat #8-32	8

**PROPRIETARY AND CONFIDENTIAL**

THE INFORMATION CONTAINED IN THIS DRAWING IS THE SOLE PROPERTY OF PacSeal Hydraulics. ANY REPRODUCTION IN PART OR AS A WHOLE WITHOUT THE WRITTEN PERMISSION OF PacSeal Hydraulics IS PROHIBITED.

**PACSEAL HYDRAULICS INC.**

VALVES, ACCUMULATORS, CONTROLS

**TITLE:** KT-3600 Pressure Transmitter

SIZE **A** DWG. NO. **40-1768**

REV **2**

SCALE: 1:2

WEIGHT: 17

SHEET 2 OF 2

40-1768