

MATERIAL:

- SV BODY: 416 SS
- HOUSING: CARBON STEEL
- HANDLE, DETENT & SPACERS: PLATED CARBON STEEL
- SHAFT: 416 SS
- SHEARFLO SEALING COMPONENTS: 440c HARDENED
- O-RINGS: BUNA (NITRILE)
- BACKUPS: TEFLON

MODEL NO: **SV 25-2S3BSM1SN**
 ROTOR: Manipulator
 ALL PORTS: 1/4" SAE
 WORKING PRESSURE: 3000 PSI
 RETURN PORT: 250 PSI MAX
 Cv: .95
 Flow (GPM): 10
 TEMP RATING: -30° TO 180°F

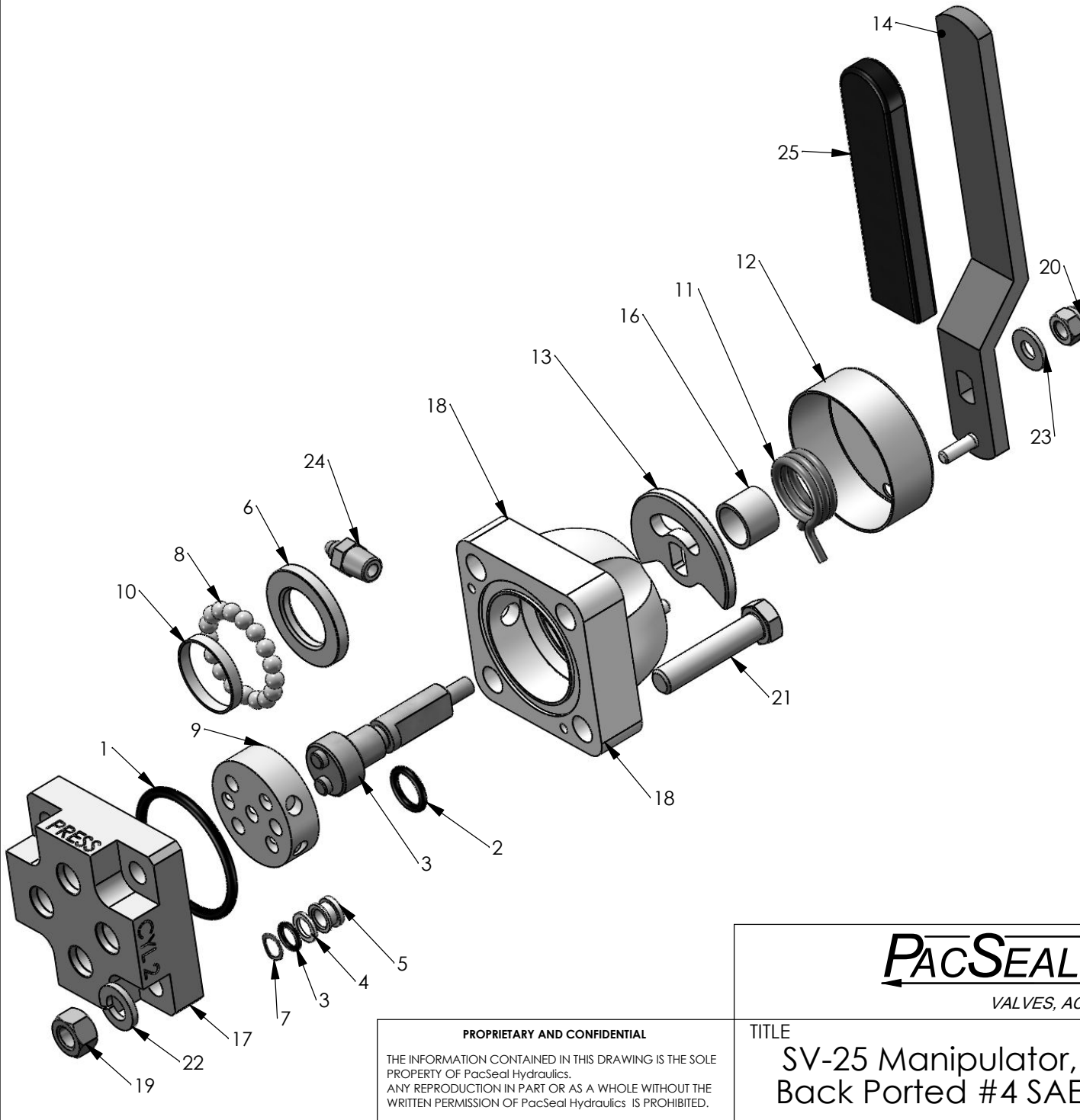
PROPRIETARY AND CONFIDENTIAL

THE INFORMATION CONTAINED IN THIS DRAWING IS THE SOLE PROPERTY OF PacSeal Hydraulics. ANY REPRODUCTION IN PART OR AS A WHOLE WITHOUT THE WRITTEN PERMISSION OF PacSeal Hydraulics IS PROHIBITED.

PacSeal Hydraulics Inc.

VALVES, ACCUMULATORS, CONTROLS

TITLE SV-25 Manipulator, Back Ported #4 SAE	SIZE	DWG. NO.	REV
	A	40-1993	1
SCALE: 1:2	WEIGHT: 5	SHEET 1 OF 2	



ITEM NO.	PART NUMBER	DESCRIPTION	QTY
1	23-1330	O-Ring	1
2	23-1337	O-Ring	1
3	23-1338	O-Ring	3
4	23-1339	Backup Ring	3
5	40-0001	Seal Ring	3
6	40-0003	Thrust Washer	1
7	40-0028	Wave Spring	3
8	40-0048	Ball, Bearing	17
9	40-0263	Rotor, Manipulator	1
10	40-0294	SV-25 Ball Retainer	1
11	40-0742	Torsion Spring	1
12	40-0746	Spring Guard	1
13	40-0756	Detent Disc	1
14	40-0763	Handle, Spring Centered	1
15	40-0772	Shaft, SV-25 Spring Centered	1
16	40-0806	Spacer, Handle	1
17	40-1010	Body, 1/4" SAE Back Port	1
18	40-1038	Housing	1
19	50-0078	Hex Nut	4
20	50-0091	Locknut	1
21	50-0097	Bolt	4
22	50-0103	Lock Washer	4
23	50-0106	Washer, Shaft	1
24	50-0176	Grease Fitting	1
25	50-0237	Grip, Handle	1

PACSEAL HYDRAULICS INC.

VALVES, ACCUMULATORS, CONTROLS

PROPRIETARY AND CONFIDENTIAL
 THE INFORMATION CONTAINED IN THIS DRAWING IS THE SOLE PROPERTY OF PacSeal Hydraulics. ANY REPRODUCTION IN PART OR AS A WHOLE WITHOUT THE WRITTEN PERMISSION OF PacSeal Hydraulics IS PROHIBITED.

TITLE
SV-25 Manipulator, Back Ported #4 SAE

SIZE A	DWG. NO. 40-1993	REV 1
SCALE: 1:2	WEIGHT: 5	SHEET 2 OF 2