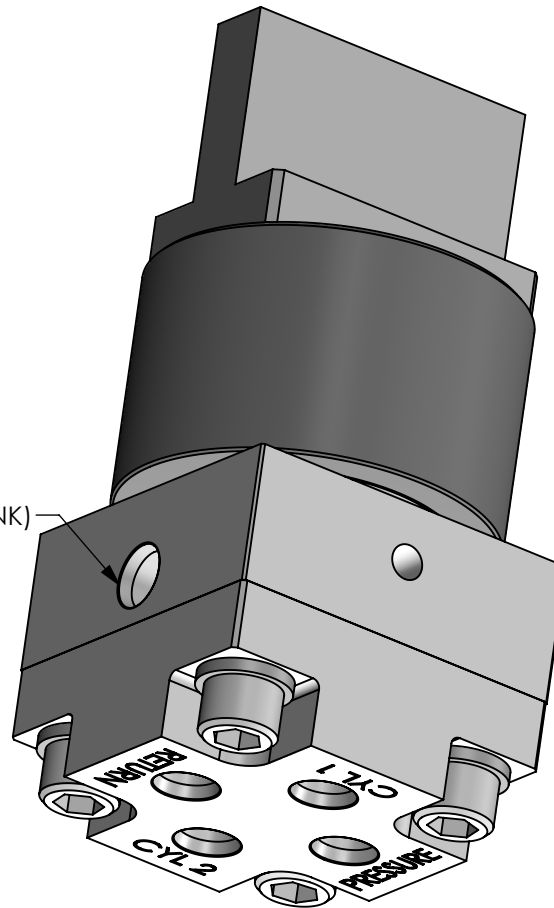
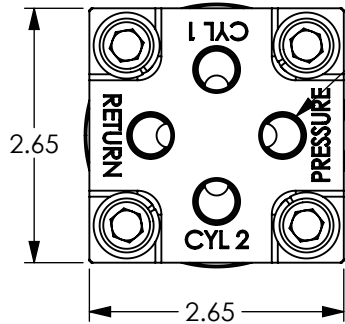


1/4" (#4) SAE PORT
1 PL
(CASE DRAIN TO TANK)

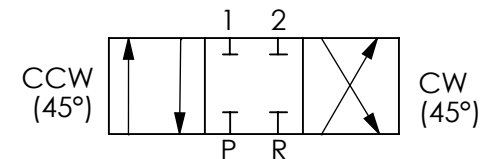


-W.P. : 3000 PSI

-RETURN PORT & CASE DRAIN
TO TANK: 250 PSI (MAX)

-SERVICE: SUBSEA SERVICE

-MATERIALS:
EXTERNAL: 316 SS
INTERNAL (SEALING): 440c, 416, 316
INTERNAL (NON SEALING):
CARBON STEEL, BRONZE
-ELASTOMERS: NITRILE, TEFLON



90° ROTARY OPERATION
(NON DETENTED)

THROTTLED FLOW @ 5° ± 1.5° OFF CENTER POSITION

PacSeal HYDRAULICS INC.

VALVES, ACCUMULATORS, CONTROLS

<p>PROPRIETARY AND CONFIDENTIAL</p> <p>THE INFORMATION CONTAINED IN THIS DRAWING IS THE SOLE PROPERTY OF PacSeal Hydraulics. ANY REPRODUCTION IN PART OR AS A WHOLE WITHOUT THE WRITTEN PERMISSION OF PacSeal Hydraulics IS PROHIBITED.</p>	TITLE	SIZE	DWG. NO.	REV
	Valve, SVS-25 Block Center Selector, Subsea	A	40-2170	1
		SCALE: 1:2	WEIGHT: 7.3	