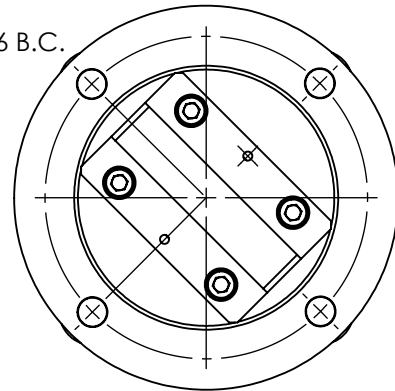


OPEN (P -> C1; C2 -> R)



CLOSE (P -> C2; C1 -> R)

1/4" (#4) SAE PORT (1 PL)
(CASE DRAIN TO TANK, 250 PSI MAX)

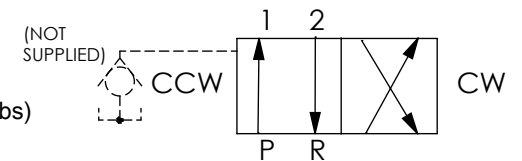
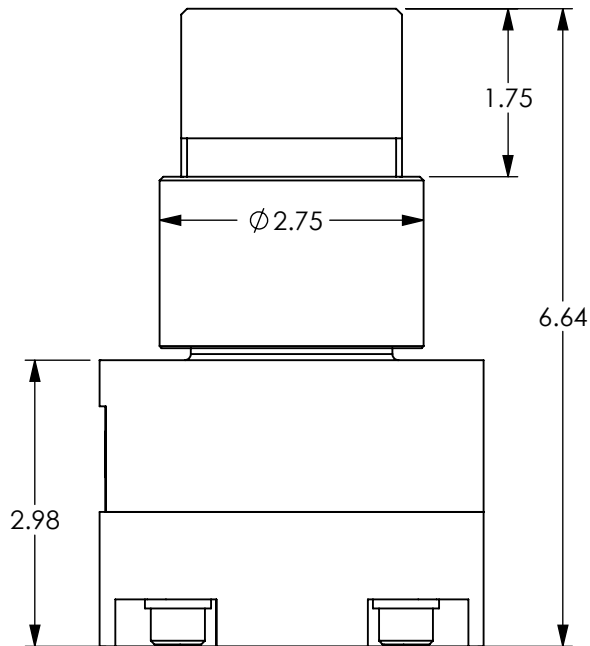
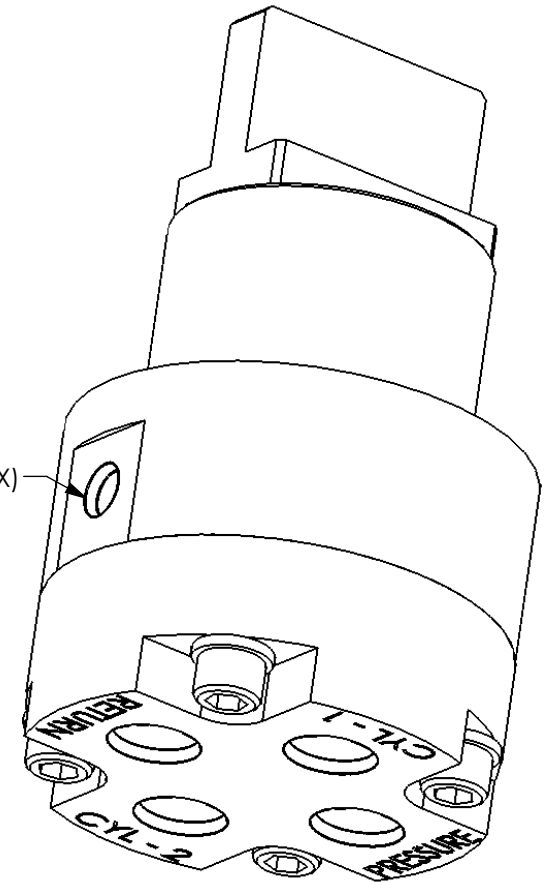
-W.P. : 3000 PSI ON PORTS: P, C1 & C2

- Cv: 3.2

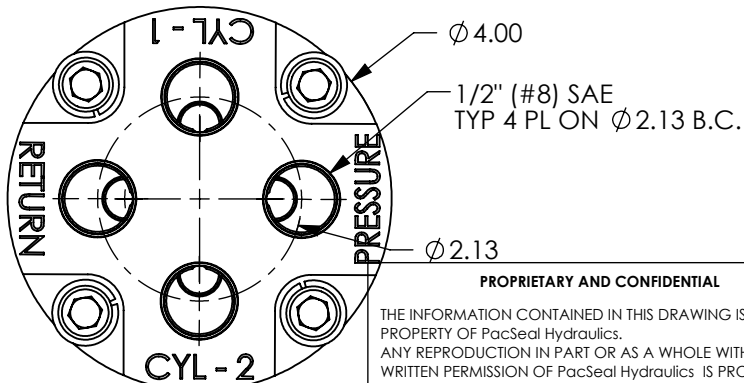
-SERVICE: SUBSEA SERVICE

-MATERIALS:
EXTERNAL: 316 SS
INTERNAL (SEALING): 440c, 416, 316
INTERNAL (NON SEALING):
CARBON STEEL, BRONZE
-ELASTOMERS: NITRILE, TEFLON

-MAX ACTUATION TORQUE: API 17D Class1 (50 ft*lbs)
- ROTOR: Shutoff



2-POSITION (90°) OPERATION



PROPRIETARY AND CONFIDENTIAL

THE INFORMATION CONTAINED IN THIS DRAWING IS THE SOLE PROPERTY OF PacSeal Hydraulics. ANY REPRODUCTION IN PART OR AS A WHOLE WITHOUT THE WRITTEN PERMISSION OF PacSeal Hydraulics IS PROHIBITED.

MODEL No. SVS-50 3A2PN

PacSeal HYDRAULICS INC.

VALVES, ACCUMULATORS, CONTROLS

TITLE	Valve, SVS-50 All Blocked	SIZE	A	DWG. NO.	40-2913	REV	A
		SCALE: 1:2	Weight: 13.0	SHEET 1 OF 2			

